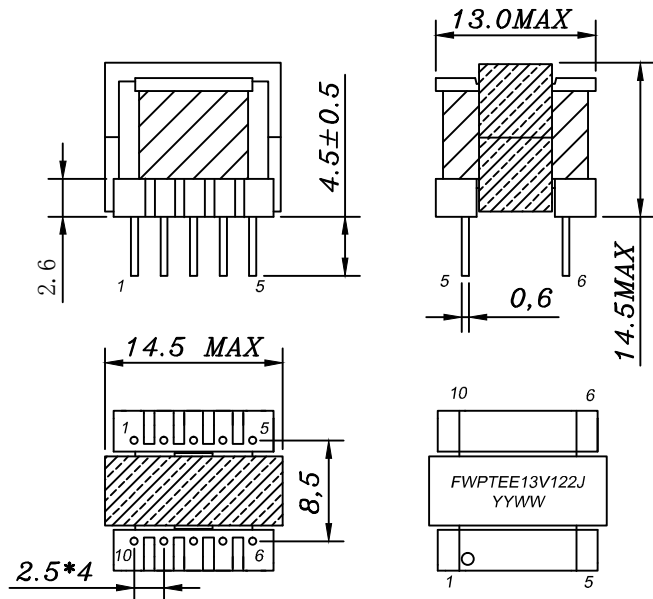


CUSTOMER TERMINAL	ROHS	Lead (Pb) -free
	YES	YES

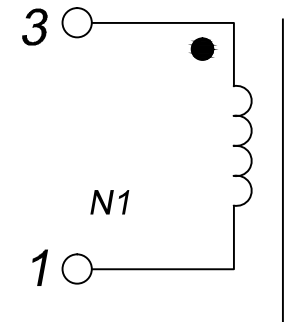


1. Mechanical Dimensions



Note: PIN8 cut off

2. Schematic Diagram



3. Material List

Core:FW40-EE13

BOBBIN:FWB1305-J

Wire:2UEW

Operating Temperature: -30 to 115°C

4. Electrical Specification

Inductance: $L(3-1)=1.2\text{mH}\pm 5\%$ 1KHZ 1V

3 Layers Polyester Tape $T=0.05$

REV.	DATE	 Convention Placement	DRW.	Drawing Title: INDUCTOR	Part No:
0	00/00		CHK.		Customer P/N:
RoHS		www.ferriwo.com	APP.		Specification Sheet 1 of 1